

PRODUCT CATALOG

Explosion Proof Solutions



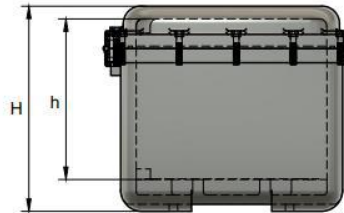
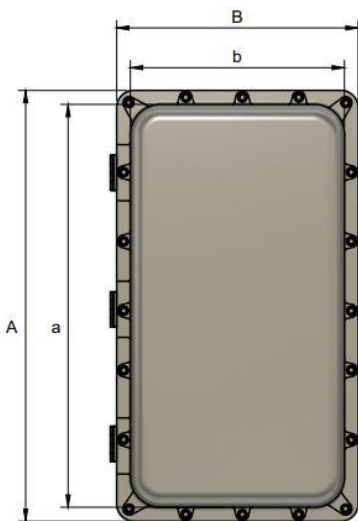


EJB SERIES COVER EXPLOSION AND JUNCTION BOXES

ATEX CERTIFICATE: INSEMEX-OEC.ATEX.18.0340X

CE  II 2 G Ex d II B T6/T5/T4 Gb

CE  II 2 D Ex t III C T80°C/T95°C/T130°C Db



CATALOG NO.	OUTSIDE DIMENSIONS			INSIDE DIMENSIONS		
	A(mm.)	B(mm.)	H(mm.)	a(mm.)	b(mm.)	h(mm.)
EJB-1S	240	200	152	166	126	122
EJB-28	405	193	120	332	120	87
EJB-1A	300	254	175	220	175	143
EJB-1B	276	226	120	200	150	80
EJB-2	300	242	175	226	168	130
EJB-5	460	286	259	390	212	167
EJB-8	615	344	285	539	269	219
EJB-12	750	406	280	676	332	204

APPLICATIONS

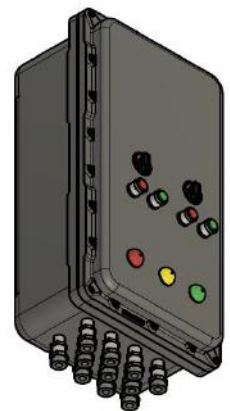
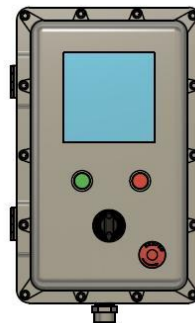
EJB SERIES ex-proof boxes are suitable for use in Zone-1, Zone-21, Zone-2 and Zone-22 ex-proof environments. EJB series boxes; It can be designed as a junction box, terminal box and starter. By opening the glass to the panels, the indicator inside the junction box can be seen. In addition, control equipment can be added on the junction box in accordance with the demand.

MATERIAL

Body; aluminum casting
(ETIAL 171)
Colour: RAL 7040(grey)

MECHANICAL PROTECTION TYPE

IP66



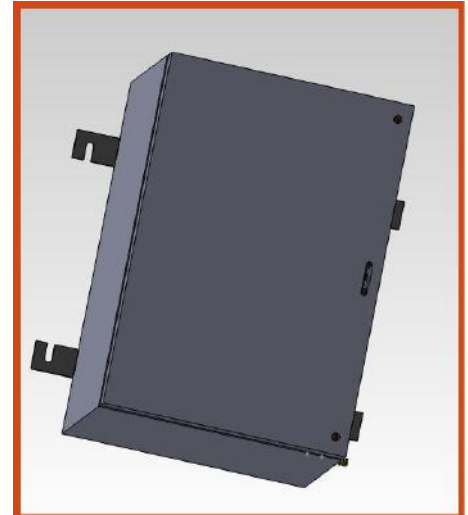
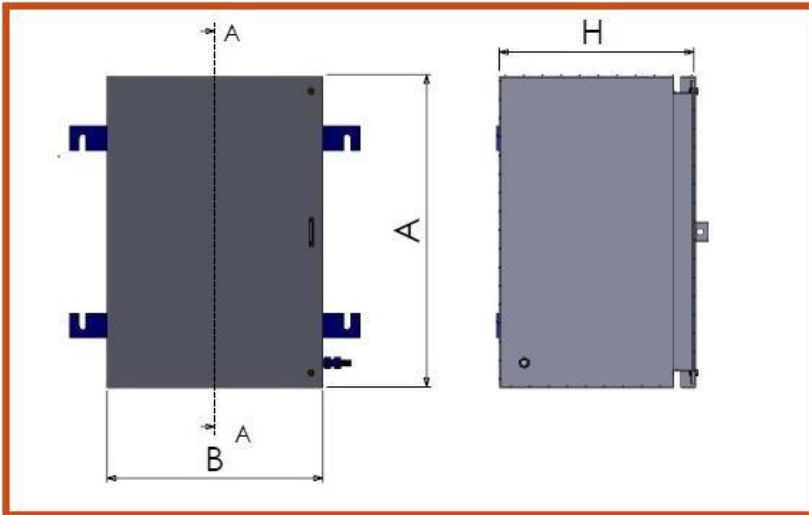


EJ SERIES EX-PROOF TERMINAL BOXES

ATEX CERTIFICATE: INSEMEX-OEC.ATEX.21.0301X

CE  II 2 G Ex eb ia II C T ... Gb

CE  II 2 D Ex tb ia III C T... Db



TYPE EJ...	A (mm.)	B (mm.)	H (mm.)	TYPE EJ...	A (mm.)	B (mm.)	H (mm.)
10	413	263	160	1A	116	116	91
11	425	263	145	1B	176	116	91
12	413	263	250	1C	223	116	91
13	425	373	160	1	123	123	80
14	425	373	250	2	250	153	75
15	523	373	250	3	153	153	75
16	574	373	195	4	153	153	120
17	640	450	250	5	253	153	145
18	720	550	170	6	293	263	160
19	760	550	250	7	305	263	195
20	880	640	250	8	376	263	170
21	1000	740	250	9	376	263	210

APPLICATIONS

EJ SERIES boxes are suitable for use in Zone-1, Zone-21, Zone-2 and Zone-22 ex-proof environments. It can be manufactured in desired dimensions up to 1100 volt.

MATERIAL

Steel / Stainless Steel

MECHANICAL PROTECTION TYPE

IP66

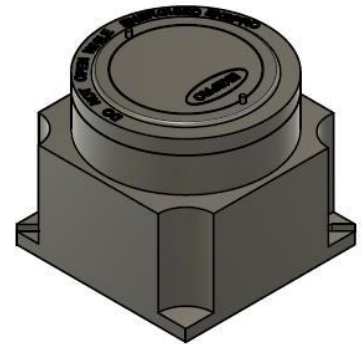
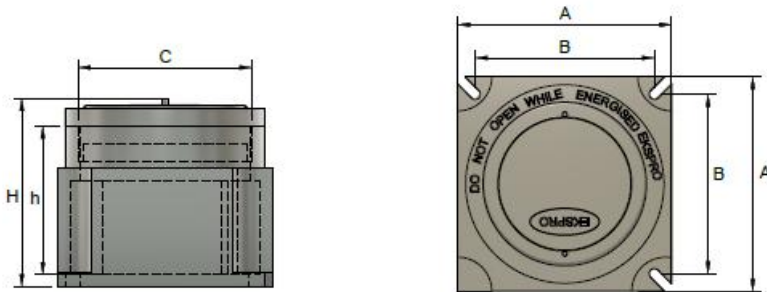


GUB SERIES EX-PROOF JUNCTION BOX

CERTIFICATE : INSEMEX-OEC.ATEX.18.0330X

CE  II 2 G EX D II C T6/T5 GB

CE  II 2 D EX TB III C T80°C/T95°C DB



Catalog No.	A (mm.)	B (mm.)	H (mm.)	h (mm.)	ØC (mm.)
GUB-0	123	102	118	78	99
GUB-2	190	193	146	108	164
GUB-3	233	233	163	127	191
GUB-4	388	367	294	258	354

APPLICATIONS

GUB SERIES ex-proof junction boxes, Zone-1, Zone-21, Zone-2 and Zone-22 suitable for use in ex-proof environments. . GUB series junction boxes;It is manufactured junction box, terminal box and starter.

MATERIAL

Body; aluminum casting
(ETIAL 171)
Colour: RAL 7040(grey)

MECHANICAL PROTECTION TYPE

IP66



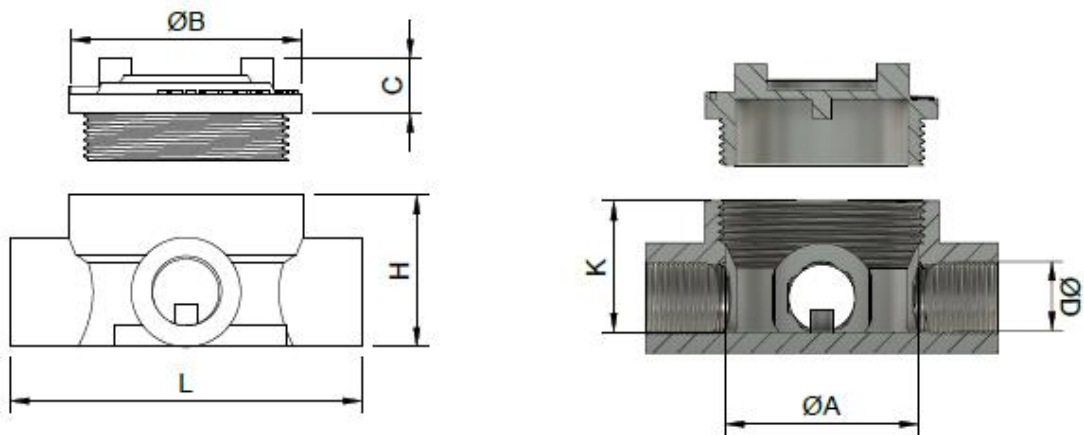


GUA SERIES EX-PROOF JUNCTION BOX

CERTIFICATE : INSEMEX-OEC.ATEX.18.0330X

CE  II 2 G EX D II C T6/T5 GB

CE  II 2 D EX TB III C T80°C/T95°C DB



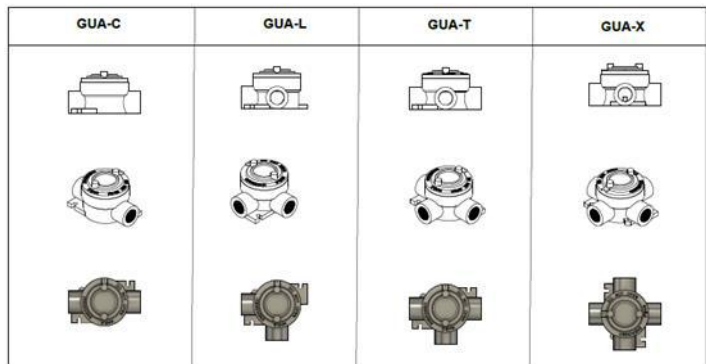
Catalog No.	ØD	Inner Diameter ØA (mm)	Inner Height K (mm)	Outer Height H (mm)	Width L (mm)	C	ØB
GUA-1	1/2" or 3/4"	72	50	57	124	20	86
GUA-3	1"	98	60	67	165	27	116
GUA-4	1 1/4" or 1 1/2"	127	90	101	206	33	147

APPLICATIONS

GUA SERIES our connections, Zone-1, Zone-21, Zone-2 and Zone-22 suitable for use in ex-proof environments.

MATERIAL

Body; aluminum casting (ETIAL 171)
Colour: RAL 7040(grey)



MECHANICAL PROTECTION

TYPE

IP66

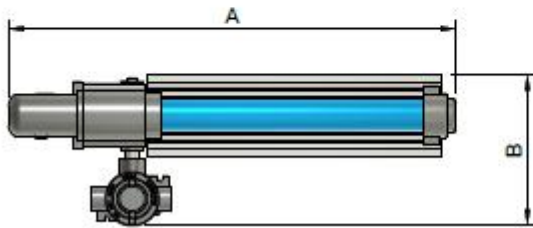
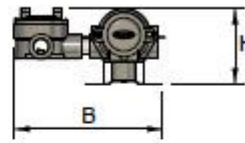
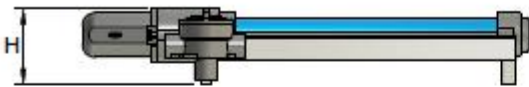


EVF SERIES EX-PROOF FLUORESCENT LIGHTING FIXTURES

ATEX CERTIFICATE: INSEMEX-OEC.ATEX.18.0301X

CE  II 2 G Ex d II C T6/T5 Gb

CE  II 2 D Ex tb III C T85⁰C/T100⁰C Db



Catalog No.	Power (Watt)	Number of Lamps	A (mm.)	B (mm.)	H (mm.)
EVF-118 E	18	1	970	260	140
EVF-218 E	18	2	970	370	140
EVF-136 E	36	1	1570	260	140
EVF-236 E	36	2	1570	370	140
EVF-158 E	58	1	1980	260	140
EVF-258 E	58	2	1980	370	140

APPLICATIONS

EVF serisi fluorescent lighting fixtures, Zone-1, Zone-21, Zone-2 and Zone-22 suitable for use in ex-proof environments. It is produced as a kit if requested.

MATERIAL

Body; aluminum casting (ETIAL 171)
Glass; Heat treated borosilicate glass
Colour: RAL 7040(grey)

TECHNICAL SPECIFICATIONS

220 V, 50 Hz with energy input
2x3/4" with hole
T8 fluorescent bulb holder
With electronic ballast

MECHANICAL PROTECTION TYPE

IP 66

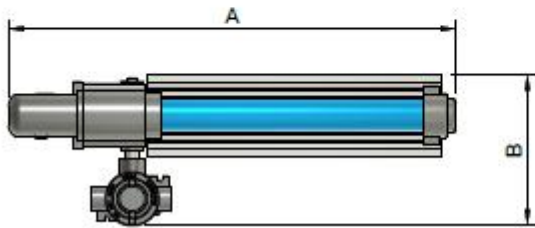
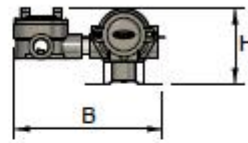
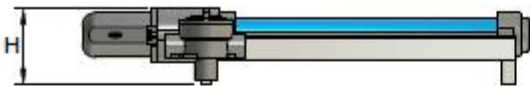


EVFPL SERIES EX-PROOF STRIP LED LIGHTING FIXTURES

ATEX CERTIFICATE: INSEMEX-OEC.ATEX.18.0301X

CE  II 2 G Ex db II C T6/T5 Gb

CE  II 2 D Ex tb III C T85°C/T100°C Db



Catalog No.	Power (Watt)	Number of Strip	A (mm.)	B (mm.)	H (mm.)	Light Intensity (lumen)
EVFPL-136	28	1	970	260	140	3500
EVFPL-236	28	2	970	370	140	6600
EVFPL-158	57	1	1570	260	140	6600
EVFPL-258	57	2	1570	370	140	13000

APPLICATIONS

EVFPL serisi ex-proof strip led lighting fixtures, Zone-1, Zone-21, Zone-2 and Zone-22 suitable for use in ex-proof environments. It can also be produced as a kit if requested.

TECHNICAL SPECIFICATIONS

220 V, 50 Hz With energy input 2x3/4" with hole
Led driver ve PCB including LM 79 With test report

MATERIAL

Body; aluminum casting (ETIAL 171)
Glass; Heat treated borosilicate glass
Colour: RAL 7040(grey)

MECHANICAL PROTECTION TYPE

IP 66



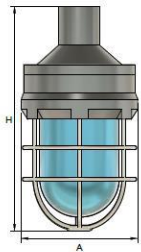
EV SERIES EX-PROOF LIGHTING FIXTURES

ATEX CERTIFICATE: INSEMEX-OEC.ATEX.18.0325X

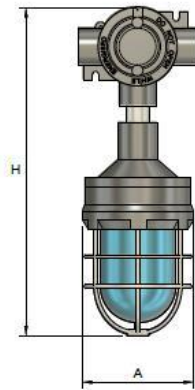
CE II 2 G Ex db II C T5/T4/T3 Gb

CE II 2 D Ex tb III C T100°C/T135°C/T200°C Db

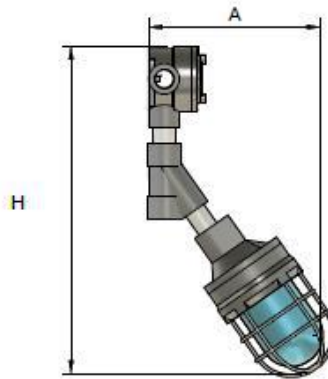
EVA-1100
EVA-2200



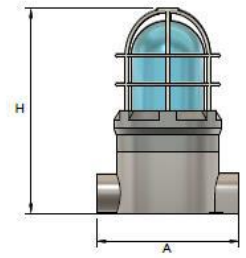
EVC-1100
EVC-2200



EVT-1100
EVT-2200



EVA-4
EVA-5



Catalog No.	Max. Power (Watt)	A (mm.)	H (mm.)
EVA-1100	100	130	220
EVA-2200	200	180	300
EVC-1100	100	130	355
EVC-2200	200	180	450

Catalog No.	Max. Power (Watt)	A (mm.)	H (mm.)
EVT-1100	100	130	305
EVT-2200	200	180	358
EVA-4	100	165	230
EVA-5	200	225	360

APPLICATIONS

EV SERIES ex-proof lighting fixtures, Zone-1, Zone-21, Zone-2 and Zone-22 suitable for use in ex-proof environments. It is manufactured in 100 Watt or 200 Watt type in accordance with the demand.

MATERIAL

Body; aluminum casting (ETIAL 171)
Glass; Heat treated borosilicate glass
Colour: RAL 7040(grey)

TECHNICAL SPECIFICATIONS

Energy with input: 220 V AC
2x3/4" with hole
E27 or E40 bulb holder

MECHANICAL PROTECTION TYPE

IP 66

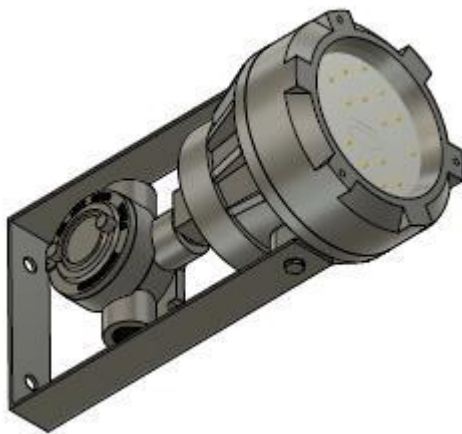
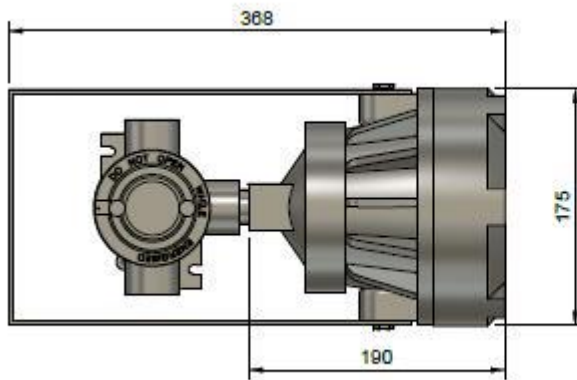


EVL SERIES EX-PROOF LED LIGHTING FIXTURES

ATEX CERTIFICATE: INSEMEX-OEC.ATEX.18.0325X

CE  II 2 G Ex db II C T5/T4/T3 Gb

CE  II 2 D Ex tb III C T100°C/T135°C/T200°C Db



Catalog No.	Power (Watt)	Light Intensity (lumen)
EVL-50	38	3950
EVL-75	55	5600

APPLICATIONS

EVL series led ex-proof lighting fixtures, Zone-1, Zone-21, Zone-2 and Zone-22 suitable for use in ex-proof environments. It can be manufactured with energy kit in accordance with the demand.

MATERIAL

Body; aluminum casting (ETIAL 171)
Glass; Heat treated borosilicate glass
Colour: RAL 7040(grey)

TECHNICAL SPECIFICATIONS

220 V, 50 Hz with energy input
2x3/4" with hole
Led driver and PCB including
LM 79 Test report

MECHANICAL PROTECTION TYPE

IP 66

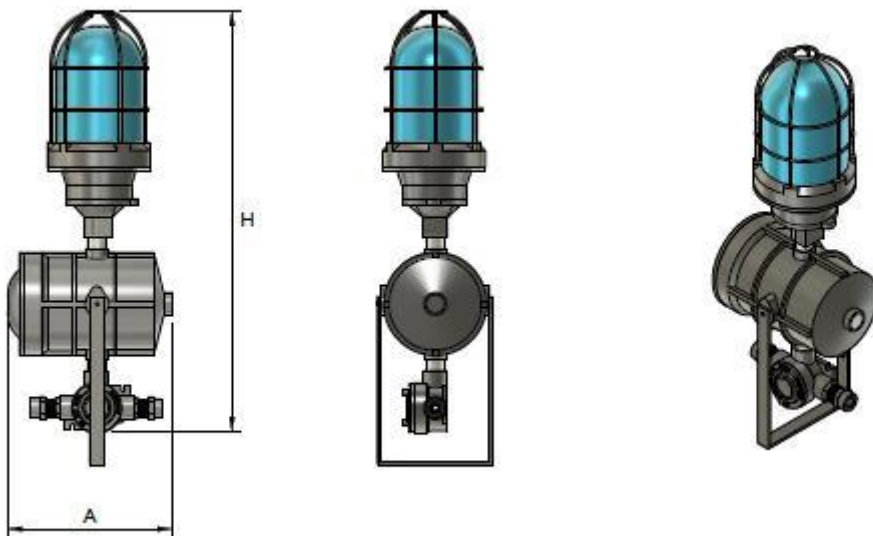


EW SERIES EX-PROOF LIGHTING FIXTURES

ATEX CERTIFICATE: INSEMEX-OEC.ATEX.18.0324X

CE  II 2 G Ex d II C T5/T4/T3 Gb

CE  II 2 D Ex tb III C T100°C/T135°C/T200°C Db



Catalog No.	Max.Power (Watt)	A (mm.)	H (mm.)
EWA-2125	125	130	220
EWA-2250	250	180	300
EWA-3400	400	130	355

APPLICATIONS

EW SERIES ex-proof with ballast lighting fixtures, Zone-1, Zone-21, Zone-2 and Zone-22 suitable for use in ex-proof environments. It is manufactured in metal form and with sodium vapor ballast.

MATERIAL

Body; aluminum casting (ETIAL 171)
Glass; Heat treated borosilicate glass
Colour: RAL 7040(grey)

TECHNICAL SPECIFICATIONS

220 V, 50 Hz with energy input
2x3/4" with hole
E27 or E40 bulb holder
With ballast (in metal form or sodium)
Used with gas discharge bulb.

MECHANICAL PROTECTION TYPE

IP 66

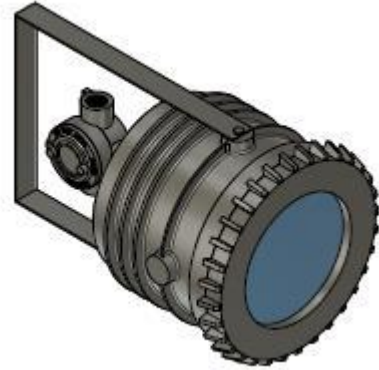
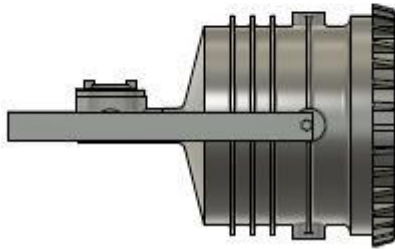
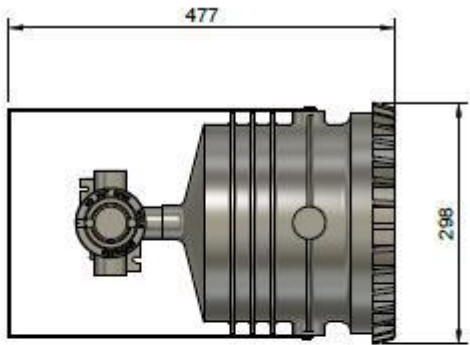


EVL SERIES EX-PROOF LED PROJECTOR

ATEX CERTIFICATE: INSEMEX-OEC.ATEX.18.0325X

CE  II 2 G Ex db II C T5/T4/T3 Gb

CE  II 2 D Ex tb III C T100°C/T135°C/T200°C Db



Catalog No.	Power (Watt)	Light Intensity (lumen)
EVL-100	99	10100
EVL-150	131	13800
EVL-200	162	17300

APPLICATIONS

EVL serisi ex-proof led projector, Zone-1, Zone-21, Zone-2 and Zone-22 suitable for use in ex-proof environments. It can be manufactured with energy kit in accordance with the demand.

MATERIAL

Body; aluminum casting (ETIAL 171)
Glass; Heat treated borosilicate glass
Colour: RAL 7040(grey)

TECHNICAL SPECIFICATIONS

Enerji girişi : 220 V AC
2x3/4" with hole
Used with gas discharge bulb.

MECHANICAL PROTECTION TYPE

IP 66

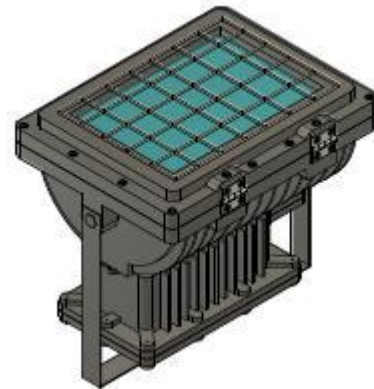
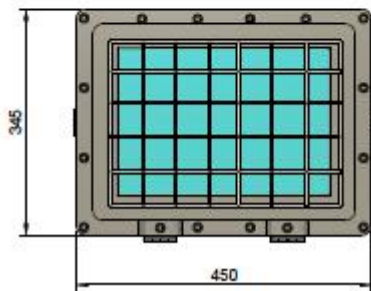
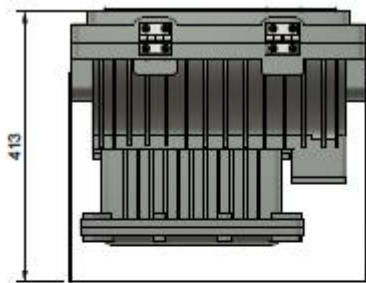


FL SERIES EX-PROOF PROJECTOR

ATEX CERTIFICATE: INSEMEX-OEC.ATEX.17.0308X

CE  II 2 G Ex d e II B T3 Gb

CE  II 2 D Ex tb III C T200°C Db



Catalog No.	Power (Watt)	Light Intensity (lumen)
EVL-100	99	10100
EVL-150	131	13800
EVL-200	162	17300

APPLICATIONS

FL SERIES ex-proof projector, Zone-1, Zone-21, Zone-2 and Zone-22 suitable for use in ex-proof environments.

MATERIAL

Body; aluminum casting (ETIAL 171)
Glass; Heat treated borosilicate glass
Colour: RAL 7040(grey)

TECHNICAL SPECIFICATIONS

With energy input : 220 V AC
2x3/4" with hole
E40 bulb holder
With ballast (In metal form or sodium)
Used with gas discharge bulb.

MECHANICAL PROTECTION TYPE

IP 66

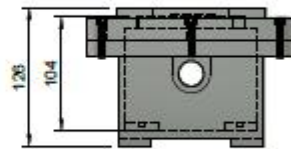
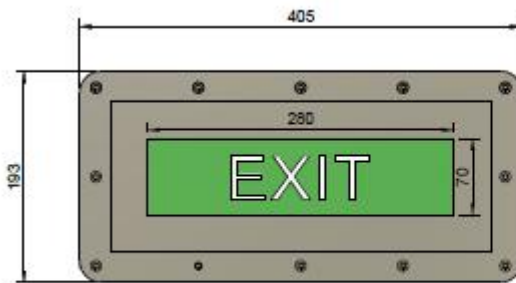


EJB-28 EX-PROOF EMERGENCY EXIT LIGHTING FIXTURES

ATEX CERTIFICATE: INSEMEX-OEC.ATEX.18.0340X

CE  II 2 G Ex d II B T6/T5/T4 Gb

CE  II 2 D Ex t III C T80°C/T95°C/T130°C Db



APPLICATIONS

EJB-28 SERIES ex-proof emergency lighting fixtures are suitable for use in Zone-1, Zone-21, Zone-2 and Zone-22 ex-proof environments. It is manufactured in 2 types;

- The armature works only when the energy is cut off.
- The armature Works when there is energy or when the energy is cut off.

MATERIAL

Body; aluminum casting (ETIAL 171)
Glass; Heat treated borosilicate glass
Colour: RAL 7040(grey)

TECHNICAL SPECIFICATIONS

Operating Voltage: 220 V AC
Bulb power: 2 x 9 Watt LED
2x3/4" with input

MECHANICAL PROTECTION TYPE

IP 66



EVT SERIES EX-PROOF TANK TRACKING FIXTURES

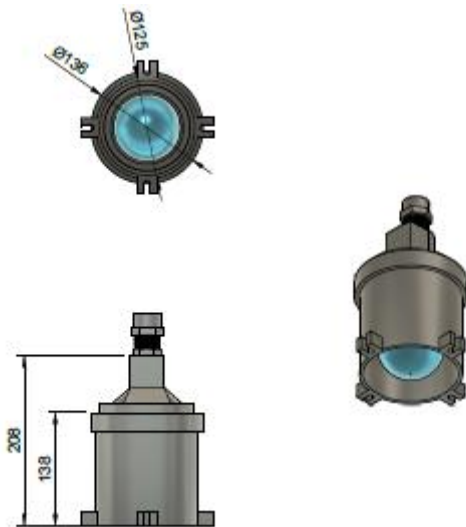
EVP SERİSİ EX-PROOF PORTABLE LIGHTING FIXTURES

ATEX CERTIFICATE: INSEMEX-OEC.ATEX.18.0325X

CE  II 2 G Ex db II C T5/T4/T3 Gb

CE  II 2 D Ex tb III C T100°C/T135°C/T200°C Db

EVT-1



APPLICATIONS

EVT SERIES ex-proof tank tracking fixtures, Zone-1, Zone-21, Zone-2 and Zone-22 suitable for use in ex-proof environments. It is suitable to be attached

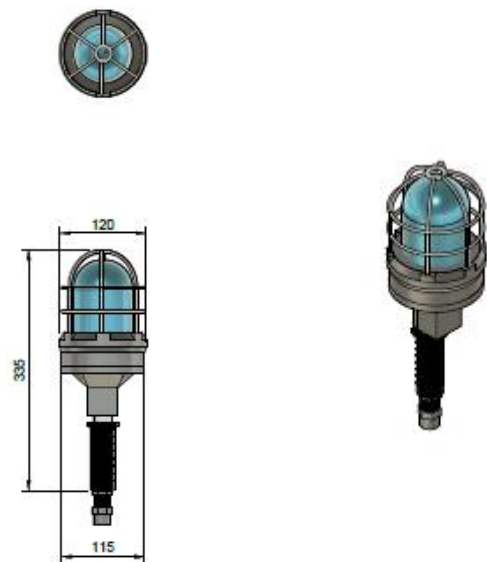
MATERIAL

Body; aluminum casting (ETIAL 171)
Glass; Heat treated borosilicate glass
Colour: RAL 7040(grey)

MECHANICAL PROTECTION TYPE

IP 66

EVP-1100



APPLICATIONS

EVP SERIES ex-proof portable lighting fixtures. It is suitable to be used together with the extension in the ex-proof field. The underside is covered with a special plastic material for comfortable hand holding.

, Zone-1, Zone-21, Zone-2 and Zone-22 suitable for use in ex-proof environments. It is suitable for use with an extension cable in the ex-proof field. The underside is covered with a special plastic.

TECHNICAL SPECIFICATIONS

Energy with input :24V-220 V AC/DC
2x3/4" with hole
E27 or E40 bulb holder

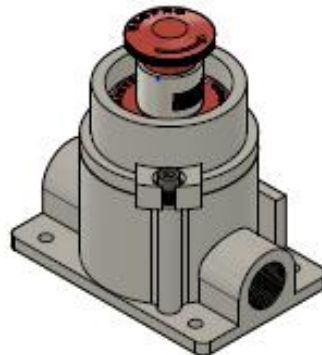
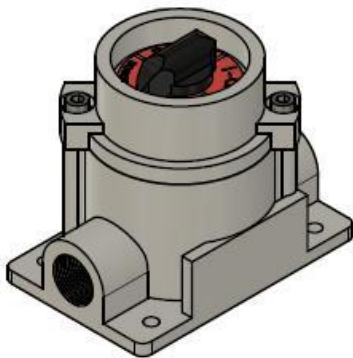
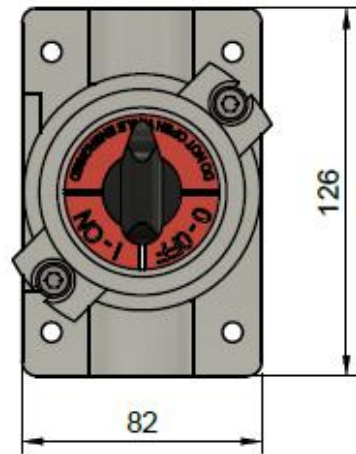
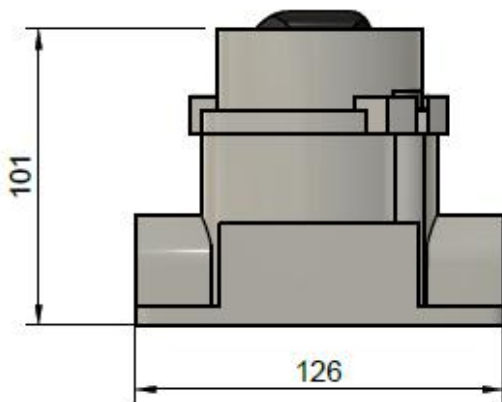


EFS SERIES EX-PROOF SWITCH AND SINGLE BUTTON BOXES

ATEX CERTIFICATE: INSEMEX-OEC.ATEX.21.0326X

CE  II 2 G Ex d II C T6 Gb

CE  II 2 D Ex tb III C T80°C Db



APPLICATIONS

EFS SERIES ex-proof switch and buttons are suitable for Zone-1, Zone-21, Zone-2 and Zone-22 ex-proof applications. In accordance with the demand;

It can be used as 0-1 switch, emergency stop buttons, signal button, potentiometer 0-1-2 switch, 1-0-2 switch.

TECHNICAL SPECIFICATIONS

220 V, 50 Hz with energy input
2x3/4" with hole

MATERIAL

Body; aluminum casting (ETIAL 171)
Colour: RAL 7040(grey)

MECHANICAL PROTECTION TYPE

IP 66

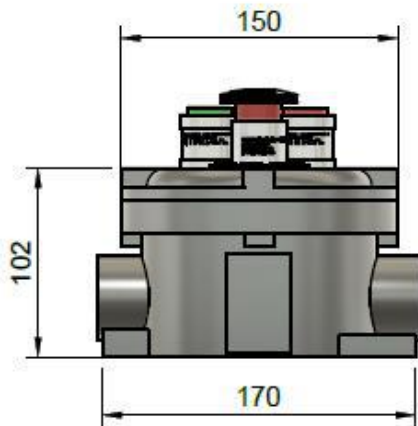


EFDS SERIES EX-PROOF ROUND CONTROL BOXES

ATEX CERTIFICATE: INSEMEX-OEC.ATEX.21.0326X

CE  II 2 G Ex d II C T6 Gb

CE  II 2 D Ex tb III C T80°C Db



APPLICATIONS

EFDS SERIES ex-proof control box is suitable for use in Zone-1, Zone-21, Zone-2 and Zone 22 ex-proof environments. Maximum 4 control elements can be placed in accordance with the demand; It can be used as 0-1 switch, emergency stop button, signal button, potentiometer, 0-1-2 switch, 1-0-2 switch.

TECHNICAL SPECIFICATIONS

220 V, 50 Hz with energy input
2x3/4" with hole

MATERIAL

Body; aluminum casting (ETIAL 171)
Colour: RAL 7040(grey)

MECHANICAL PROTECTION TYPE

IP 66



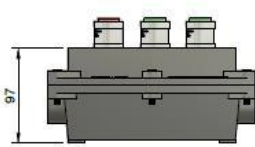
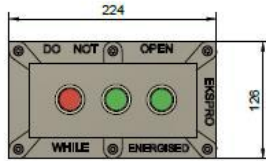
EJB-28 SERIES EX-PROOF RECTANGLE CONTROL BOXES

ATEX CERTIFICATE: INSEMEX-OEC.ATEX.18.0340X

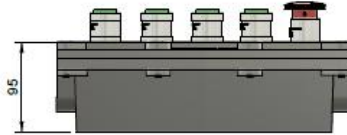
CE  II 2 G Ex d II B T6/T5/T4 Gb

CE  II 2 D Ex t III C T80°C/T95°C/T130°C Db

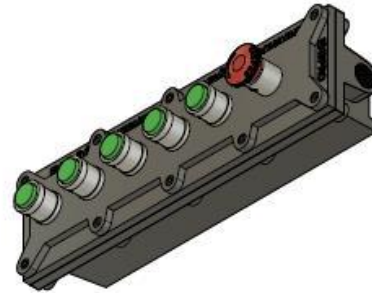
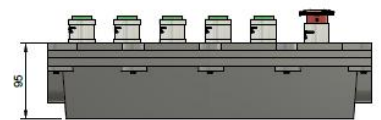
EJB-28C



EJB-28B



EJB-28A



APPLICATIONS

EJB-28 SERIES ex-proof control box, Zone-1, Zone-21, Zone-2 and Zone-22 suitable for use in ex-proof environments. Maximum 7 control elements can be placed in accordance with the demand.

EJB-28 A : 7 control box

EJB-28 B : 5 control box

EJB-28 C : 3 control box

Note: If requested, manufacturing is made with handles for crane control

TECHNICAL SPECIFICATIONS

220 V, 50 Hz with energy input
2x3/4" with hole

MATERIAL

Body; aluminum casting (ETİAL 171)

Colour: RAL 7040(grey)

MECHANICAL PROTECTIONS TYPE

IP 66

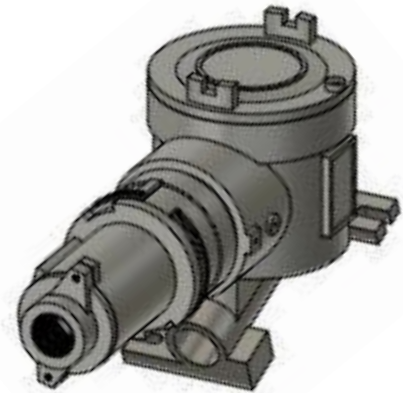


FSQ-BP SERIES EX-PROOF PLUG-SOCKET

ATEX CERTIFICATE: INSEMEX-OEC.ATEX.20.0316X

CE  II 2 G Ex d II C T6/T5 Gb

CE  II 2 D Ex t III C T80°C/T95°C Db



APPLICATIONS

FSQ-BP SERIES ex-proof plug-socket, Zone-1, Zone-21, Zone-2 and Zone-22 suitable for use in ex-proof environments.

MATERIAL

Body; aluminum (ETiAl 171)
Colour: RAL 7040(grey)

MECHANICAL PROTECTION TYPE

IP 66

Catalog No.	Number of Phases	Max. Current (Amper)	Operating Voltage (Volt)	A (mm.)
FSQ-BP 216	2P + S	20	200-250	74
FSQ-BP 232	2P + S	32	200-250	74
FSQ-BP 416	3P+N+S	20	380-415	100
FSQ-BP 432	3P+N+S	32	380-415	100
FST-BT 463	3P+N+S	63	380-690	160
FST-BT 4125	3P+N+S	125	380-690	160

Note: 63 A and 125 A plug-socket will be offered together with our gub series boxes



EXPROOF PLUG-SOCKET COMBINATION JUNCTION BOX(EJB &FSQ-BP)

ATEX CERTIFICATE: INSEMEX-OEC.ATEX.20.0316X

INSEMEX-OEC.ATEX.18.0340X

CE  II 2 G Ex d II B T6 Gb

CE  II 2 D Ex t III C T80°C Db



APPLICATIONS

Exproof plug-socket combinations panels, Zone-1, Zone-21, Zone-2 and Zone-22 suitable for use in ex-proof environments. Combination panels are manufactured in accordance with the requested number of plugs and sockets.

MATERIAL

Body; aluminum casting (ETIAL 171)
Colour: RAL 7040(grey)

MECHANICAL PROTECTION TYPE

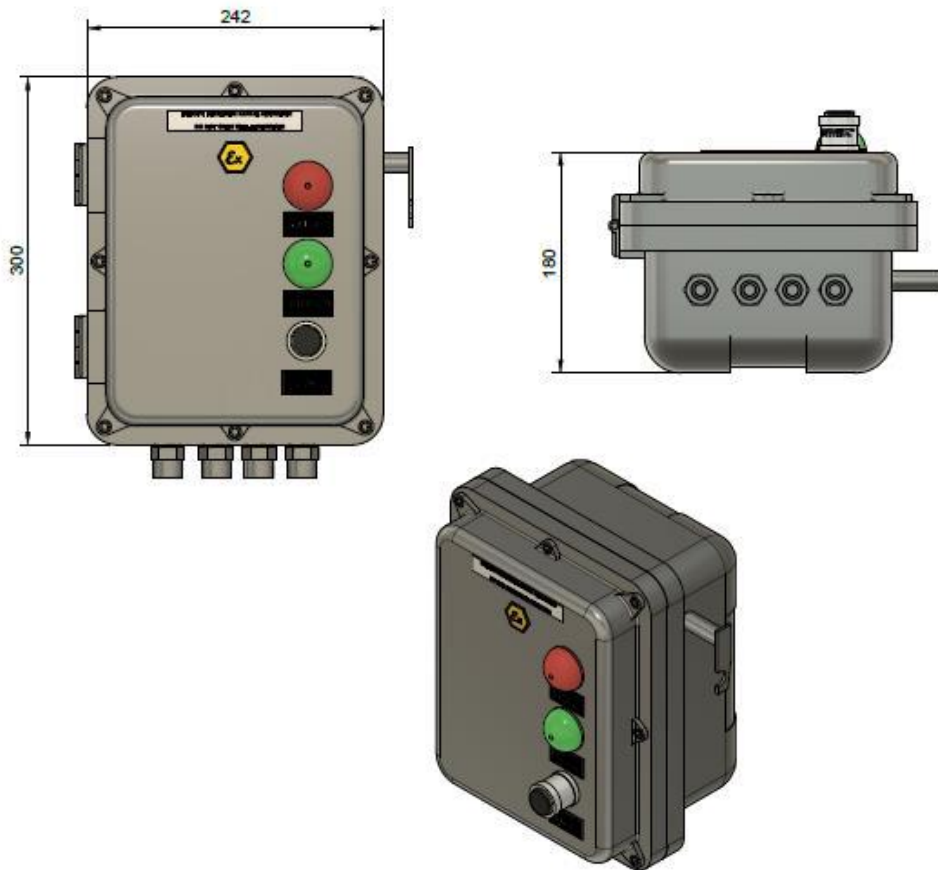
IP 66



EX-PROOF ELECTRONIC GROUNDING DEVICE (EGD)

ATEX CERTIFICATE: INSEMEX-OEC.ATEX.18.0340X

CE  Ex d II G Ex d [ia] ia II B T6 Gb



APPLICATIONS

Ex-proof electronic grounding device, Zone-1, Zone-21, Zone-2 and Zone-22 suitable for use in ex-proof environments.

MATERIAL

Body; aluminum casting (ETIAL 171)
Colour: RAL 7040(grey)

MECHANICAL PROTECTION TYPE

IP 66

TECHNICAL SPECIFICATIONS

The operating voltage is 220V AC. Pliers on the grounding device, tanker Etc. Connected to the electrostatically charged device. It allows operation if the grounding resistance between the mains ground and the device is less than 20 ohms. In case of grounding connection faults (cut, rupture) that may occur during operation, it cuts off the electricity and the red light on it turns on.

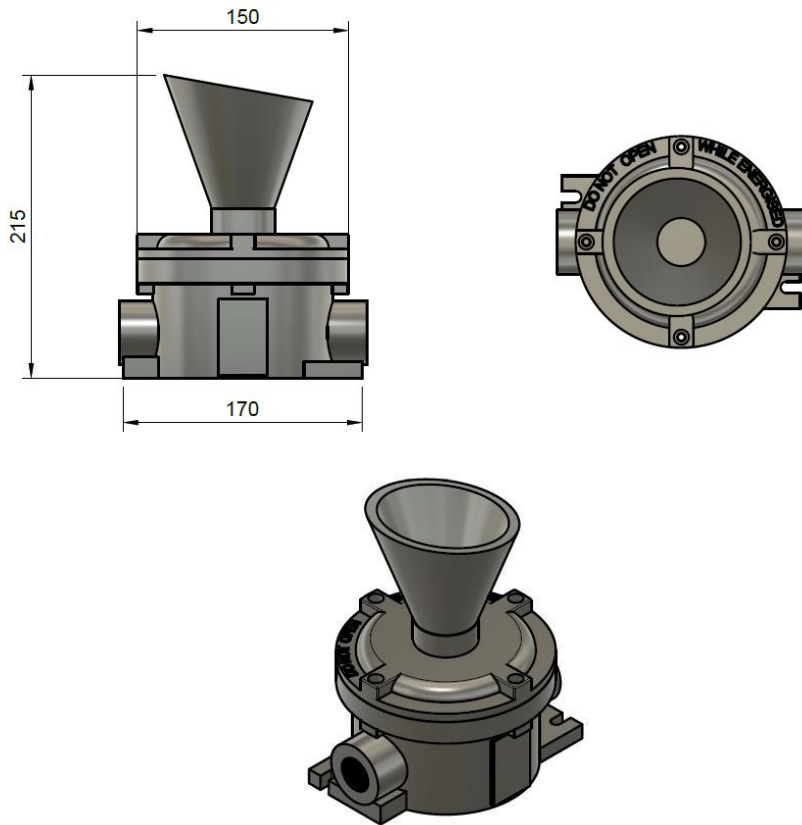


WH SERIES EX-PROOF HORN

ATEX CERTIFICATE: INSEMEX-OEC.ATEX.17.0304X

CE  II 2 G Ex d II C T6 Gb

CE  II 2 D Ex tb III C T80°C Db



APPLICATIONS

WH SERIES exproof horn, Zone-1, Zone-21, Zone-2 and Zone-22 suitable for use in exproof environments. It is used for audible warning in emergency situations.

MATERIAL

Body; aluminum casting (ETIAL 171)
Colour: RAL 7040(grey)

MECHANICAL PROTECTION TYPE

IP 66

TECHNICAL SPECIFICATIONS

With energy input: 24V-220 V AC/DC
95 desibels of sound at 1 meter distance
2x3/4" with input



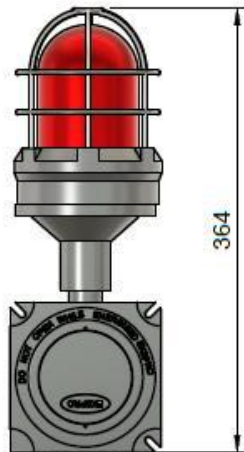
VDA SERIES EX-PROOF HAZARD WARNING

ATEX CERTIFICATE: INSEMEX-OEC.ATEX.18.0325X

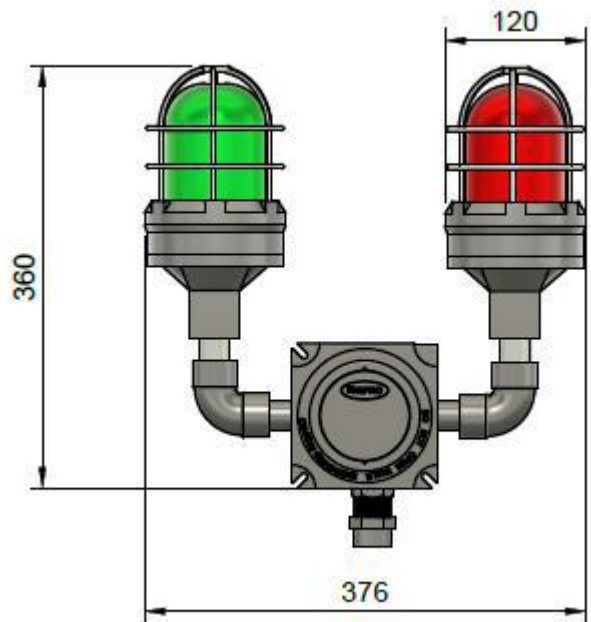
CE  II 2 G Ex db II C T5/T4/T3 Gb

CE  II 2 D Ex tb III C T100°C/T135°C/T200°C Db

VDAS-100



VDAD-100



APPLICATIONS

VDA SERIES exproof flasher, Zone-1, Zone-21, Zone-2 and Zone-22 suitable for use in ex-proof environments. It is used for light warning in emergency situations. It can be manufactured as single or double according to demand.

MATERIAL

Body; aluminum casting (ETIAL 171)
Colour: RAL 7040(grey)

TECHNICAL SPECIFICATIONS

With energy input: 24V-220 V AC/DC
Flasher circuit included
2x3/4" with input

MECHANICAL PROTECTION TYPE

IP 66

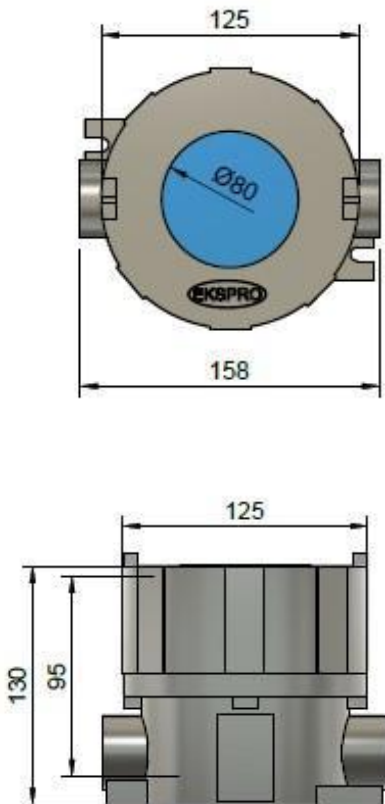


EMH SERIES EX-PROOF GLASS INDICATOR BOXES

ATEX CERTIFICATE: INSEMEX-OEC.ATEX.21.0326X

CE  II 2 G Ex d II C T6 Gb

CE  II 2 D Ex tb III C T80°C Db



APPLICATIONS

EMH SERIES ex-proof control box, Zone-1, Zone-21, Zone-2 and Zone-22 suitable for use in ex-proof environments. In the indicator box; Voltmeter, ammeter or a measuring device can be placed, the value of which is to be read from the outside

TECHNICAL SPECIFICATIONS

2x3/4" with hole

MATERIAL

Body; aluminum casting (ETIAL 171)
Colour: RAL 7040(grey)

MECHANICAL PROTECTIONS TYPE

IP 66

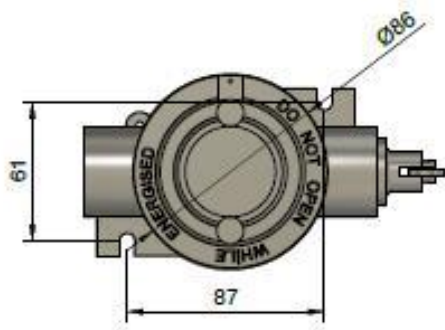
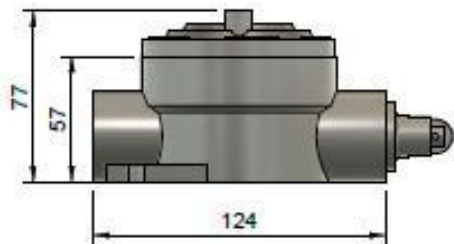


GUAC-11 SERIES EX-PROOF SWITCH

CERTIFICATE : INSEMEX-OEC.ATEX.18.0330X

CE  II 2 G EX D II C T6/T5 GB

CE  II 2 D EX TB III C T80°C/T95°C DB



APPLICATIONS

GUAC-11/AC SERIES switches, Zone-1, Zone-21, Zone-2 and Zone-22 suitable for use in ex-proof environments.

MATERIAL

Body; aluminum casting
(ETIAL 171)
Colour: RAL 7040(grey)

MECHANICAL PROTECTION TYPE

IP66

TECHNICAL SPECIFICATIONS

Operating voltage : 220 V AC
When the mechanical switch on the device is touched, it opens the contact electronically.



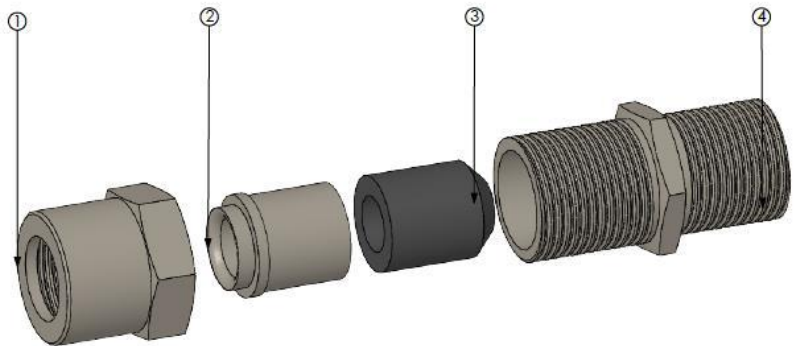
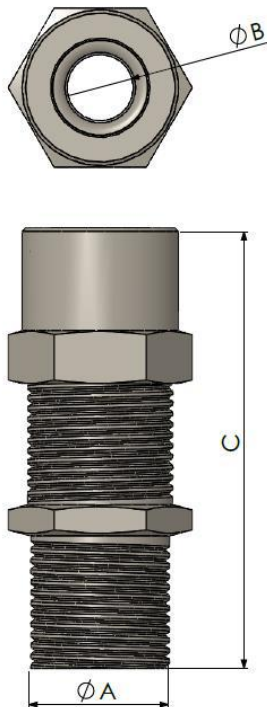
PA SERIES EX-PROOF UNARMORED CABLE GLAND

ATEX CERTIFICATE: INSEMEX-OEC.ATEX.18.0341X

CE II 2 G EX D II C T6/T5 GB

CE II 2 G EX E II C T6/T5 GB

CE II 2 D EX TB III C T80°C/T95°C GB



PRODUCT CODE	ØA (tooth type)	ØB (Cable Clamping Diameter)	C (mm.)
PA1A	1/2" / M20x1,5	4-10	62
PA1B	1/2" / M20x1,5	6-12	62
PA2A	3/4" / M25x1,5	10-15	62
PA2B	3/4" / M25x1,5	12-17	62
PA3	1" / M32x1,5	17-23	80
PA4	1 1/4" / M40x1,5	23-29	80
PA5	1 1/2" / M50x1,5	29-36	84
PA6	2" / M63x1,5	36-46	84
PA7	2 1/2" / M75x1,5	46-59	84
PA8	3" / M80x1,5	59-71	90

APPLICATIONS

PA SERIES exproof cable glands, Zone-1, Zone-21, Zone-2 and Zone-22 suitable for use in exproof environments. It is used in input-output connections of exproof products, in unarmoured cable connection. It is produced as metric, gas pipe thread and NPT thread.

MATERIAL

Nipple (4), Ring (2) Cover (1); Nickel plated brass
Gasket (3): neoprene

MECHANICAL PROTECTION TYPE

IP 66



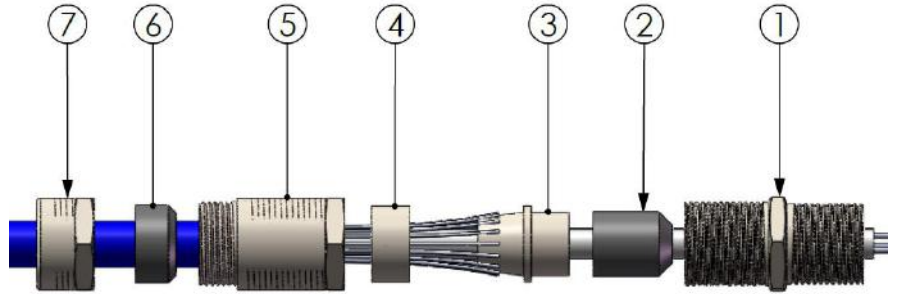
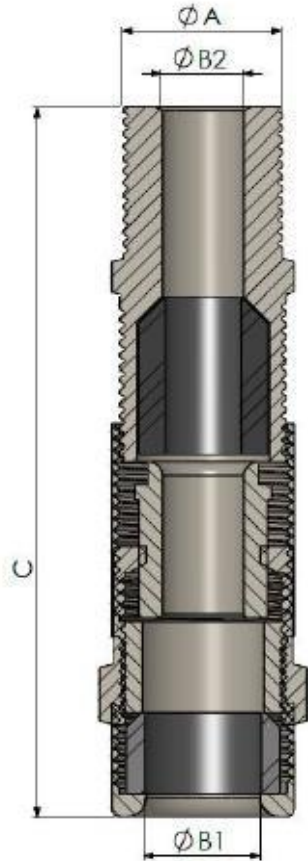
PAP SERIES EX-PROOF CABLE GLAND FOR ARMoured CABLE

ATEX CERTIFICATE: INSEMEX-OEC.ATEX.18.0341X

CE  II 2 G EX D II C T6/T5 GB

CE  II 2 G EX E II C T6/T5 GB

CE  II 2 D EX TB III C T80°C/T95°C GB



Katalog no.	ØA(diş tipi)	ØB1 (kablo sıkma çapı zırlı)(mm.)	ØD1 (kablo sıkma çapı zırlısız)(mm.)	C (mm.)
PAP-1A	1/2" / M20x1,5	7-14	4-10	102
PAP-1B	1/2" / M20x1,5	12-21	6-13	102
PAP-2A	3/4" / M25x1,5	13-21	8-15	102
PAP-2B	3/4" / M25x1,5	16-24	10-17	102
PAP-3	1" / M32x1,5	21-34	14-23	107
PAP-4	1 1/4" / M40x1,5	27-41	23-30	112
PAP-5	1 1/2" / M50x1,5	33-48	29-36	112
PAP-6	2" / M63x1,5	46-60	36-46	117
PAP-7	2 1/2" / M75x1,5	60-82	46-59	122
PAP-8	3" / M80x1,5	82-95	59-71	127

APPLICATIONS

PAP SERIES exproof cable glands, Zone-1, Zone-21, Zone-2 and Zone-22 suitable for use in exproof environments. It is used in input-output connections of exproof products, in armoured cable connection. It is produced as metric, gas pipe thread and NPT thread.

MATERIAL

Nipple (4), Ring(3) Cover(1), Body(5), Cover(7); Nickel plated brass
Gaskets(2,6): neoprene

MECHANICAL PROTECTION TYPE

IP 66



EYS & EZS SERIES EX-PROOF STOPPERS

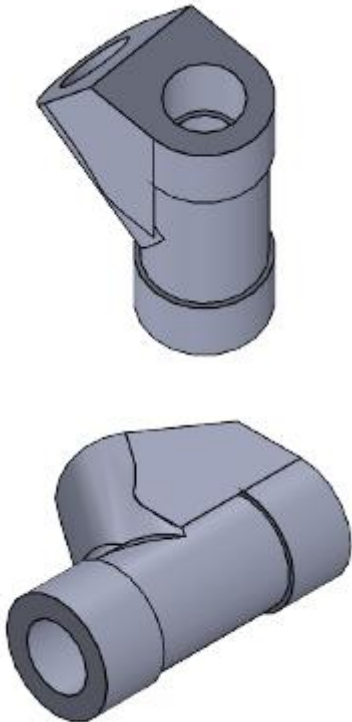
ATEX CERTIFICATE: IEP 18 ATEX 0616X

CE  II 2 G Ex db II C Gb

CE  II 2 D Ex tb III C Db

EYS

VERTICAL STOPPER



EZS

HORIZONTAL STOPPER



APPLICATIONS

EYS and EZS SERIES stoppers, Zone-1, Zone-21, Zone-2 and Zone-22 suitable for use in ex-proof environments. It can be manufactured in accordance with the demand from 1/2" to 3"

MATERIAL

Body; aluminum casting (ETIAL 171)
Clour: RAL 7040(grey)

MECHANICAL PROTECTION TYPE

IP 66

OMNIA AYDINLATMA

	Paşaalanı Mahallesi 376 Sokak No:49/1 Karesi - Balıkesir - Turkey
	info@omniaaydinlatma.com.tr
	www.omniaaydinlatma.com.tr